



Installation instructions, accessories

Volvo Car Corporation Gothenburg, Sweden

Instruction No	Version	Part. No.
31414240	1.6	31428005, 31428890, 31428891

Decor frame



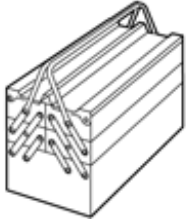
IMG-382189



Installation instructions, accessories

Volvo Car Corporation Gothenburg, Sweden

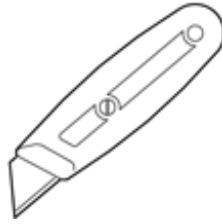
Equipment



IMG-345497



IMG-239667

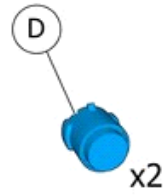
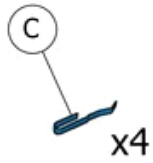
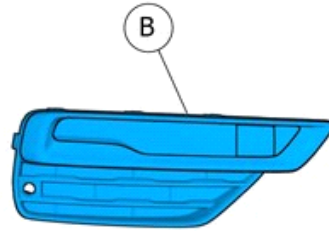
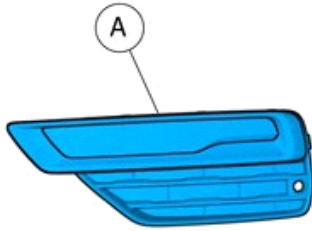


IMG-239980



IMG-239664

Nm
lbf.ft



IMG-382191



Installation instructions, accessories

Volvo Car Corporation Gothenburg, Sweden

Information

1

Read through all of the instructions before starting installation.

Notifications and warning texts are for your safety and to minimise the risk of something breaking during installation.

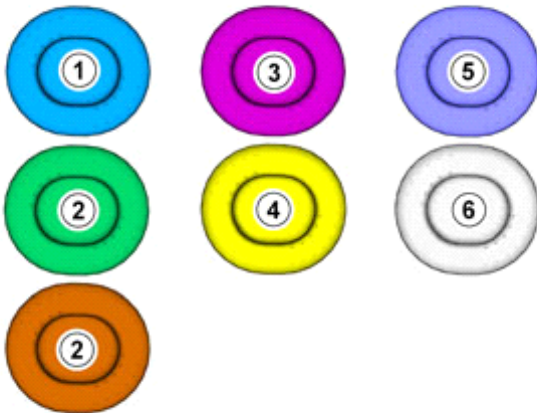
Ensure that all tools stated in the instructions are available before starting installation.

Certain steps in the instructions are only presented in the form of images. Explanatory text is also given for more complicated steps.

In the event of any problems with the instructions or the accessory, contact your local Volvo dealer.

Color symbols

2



IMG-363036

Note!

This colour chart displays (in colour print and electronic version) the importance of the different colours used in the images of the method steps.

1. Used for focused component, the component with which you will do something.
2. Used as extra colors when you need to show or differentiate additional parts.
3. Used for attachments that are to be removed/installed. May be screws, clips, connectors, etc.
4. Used when the component is not fully removed from the vehicle but only hung to the side.
5. Used for standard tools and special tools.
6. Used as background color for vehicle components.

Removal

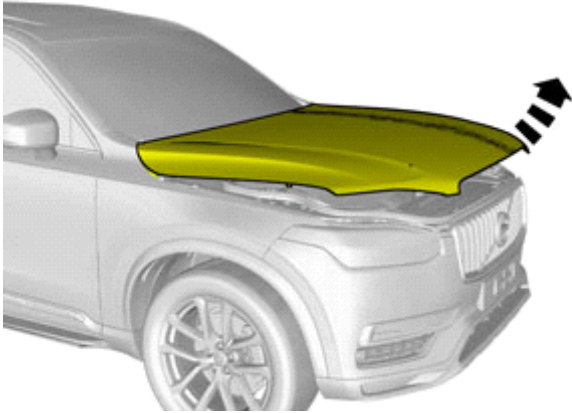


Installation instructions, accessories

Volvo Car Corporation Gothenburg, Sweden

3

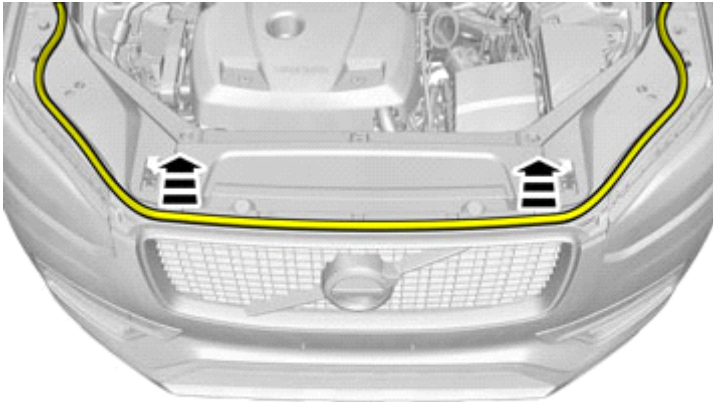
Open the hood.



IMG-382528

4

Remove the weatherstrip.

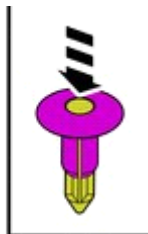
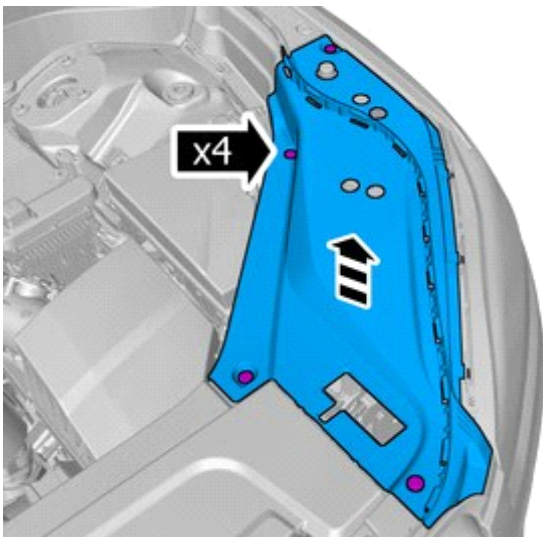


IMG-382200

5

Remove the clips.

Repeat on the other side.



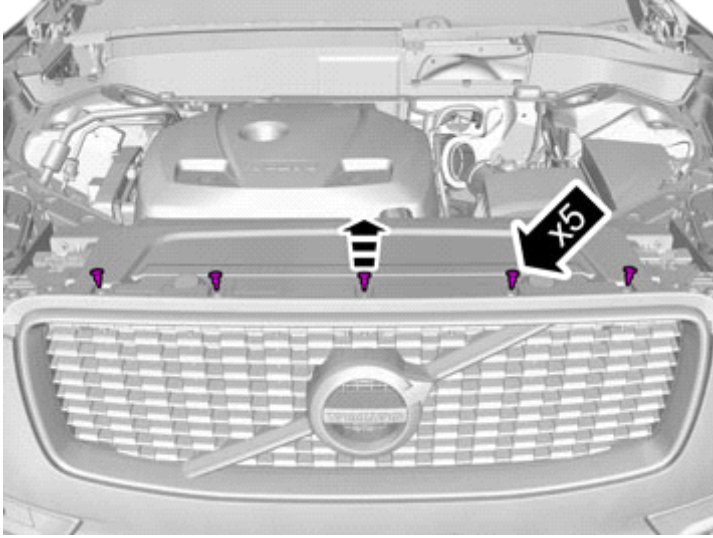
IMG-398087



Installation instructions, accessories

Volvo Car Corporation Gothenburg, Sweden

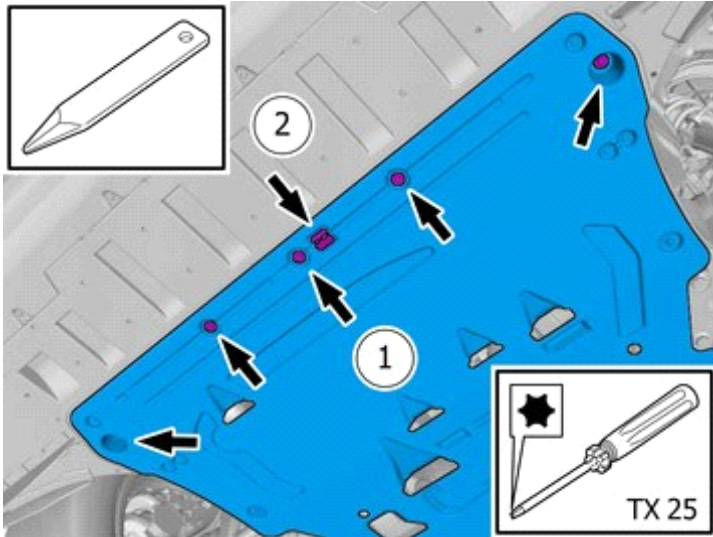
6



IMG-382201

Remove the clips.

7

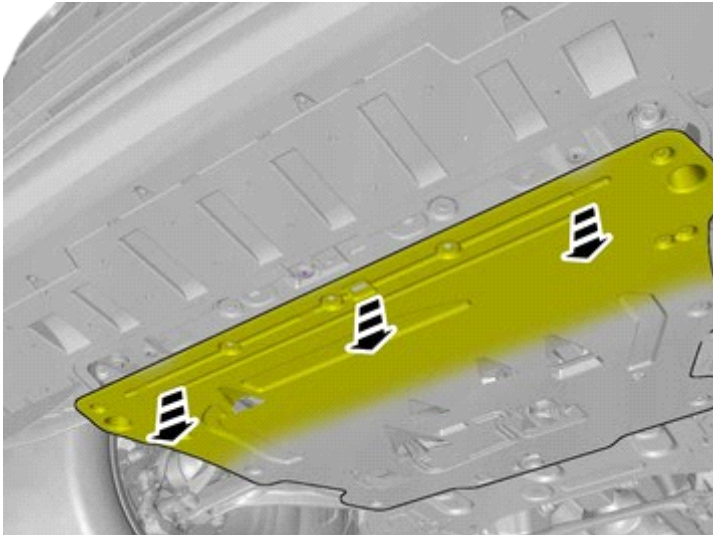


IMG-392958

Remove the screws.

Remove the clip.

8



IMG-393125

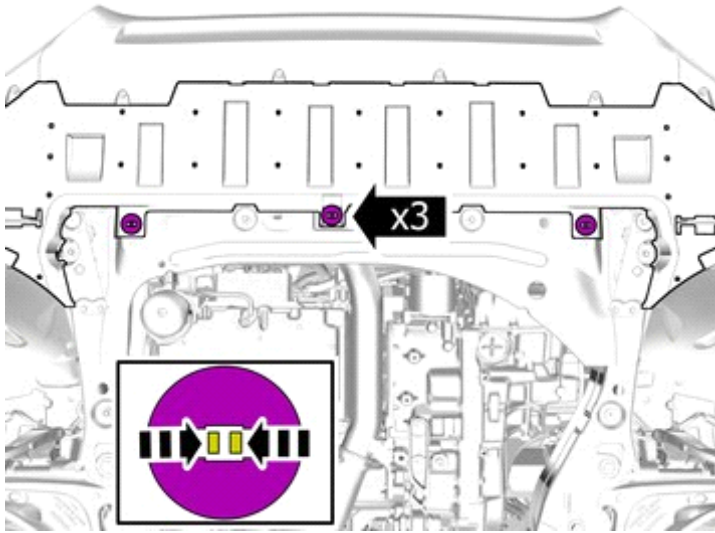
Fold marked part to one side.



Installation instructions, accessories

Volvo Car Corporation Gothenburg, Sweden

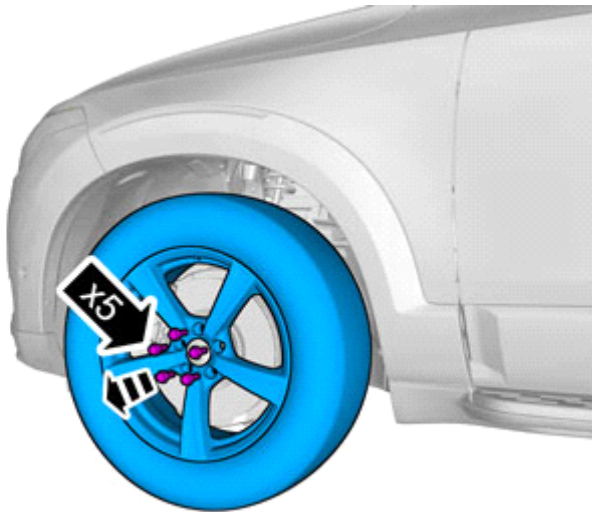
9



IMG-387143

Remove the clips.

10



IMG-382209

Remove the screws.

Remove the marked part.

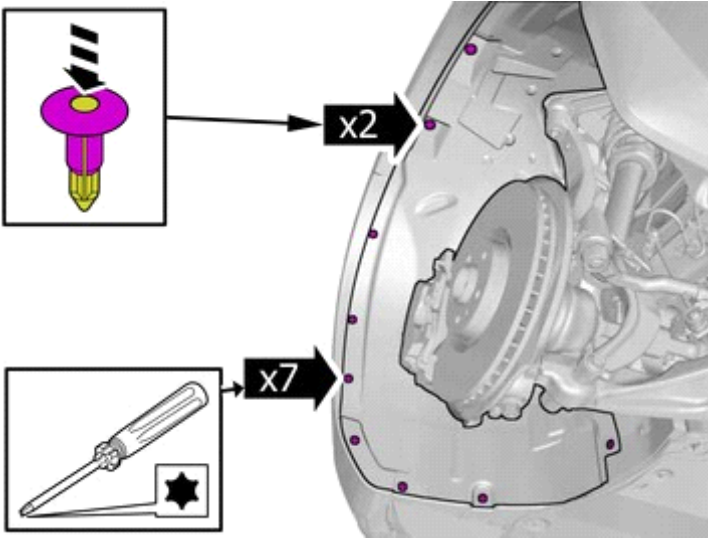
Repeat on the other side.



Installation instructions, accessories

Volvo Car Corporation Gothenburg, Sweden

11



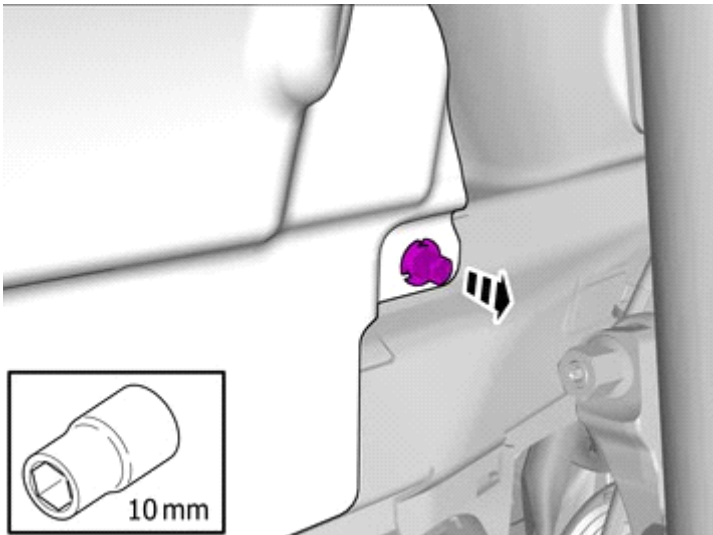
IMG-382210

Remove the screws.

Remove the clips.

Repeat on the other side.

12

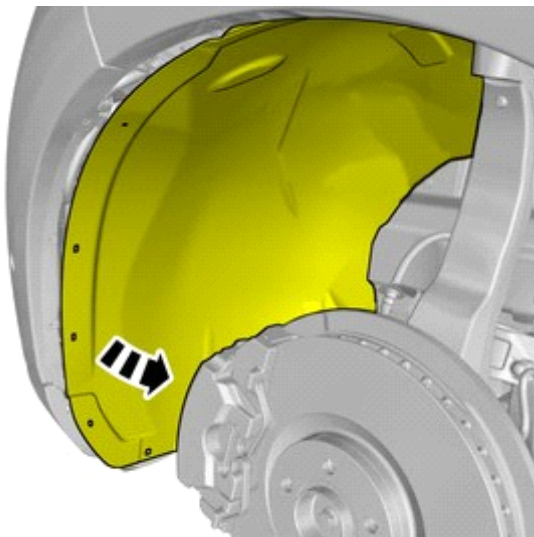


IMG-382280

Remove the nut.

Repeat on the other side.

13



IMG-382211

Fold the wing liner to one side.

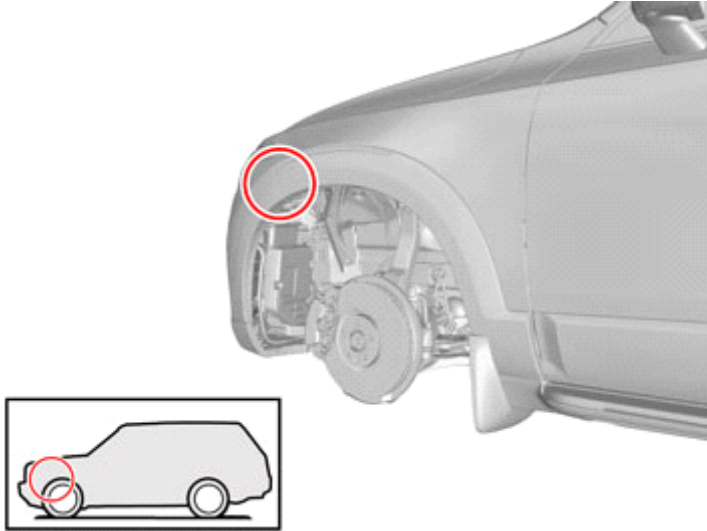
Repeat on the other side.



Installation instructions, accessories

Volvo Car Corporation Gothenburg, Sweden

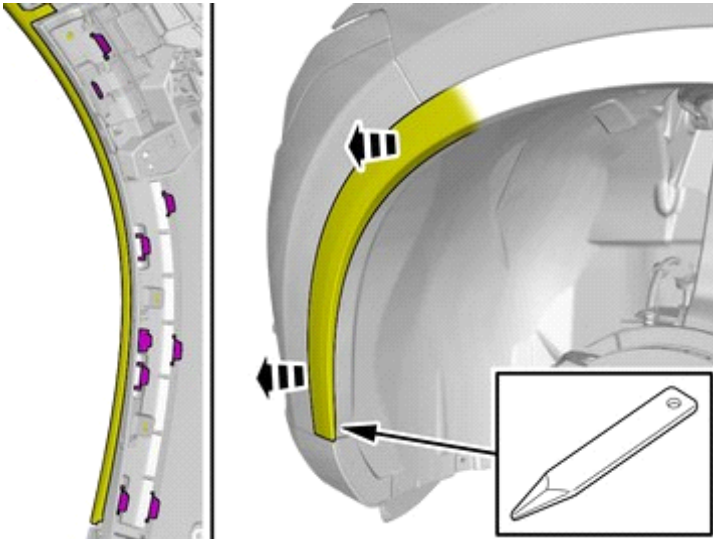
14



IMG-382279

Note!
Orientation view

15

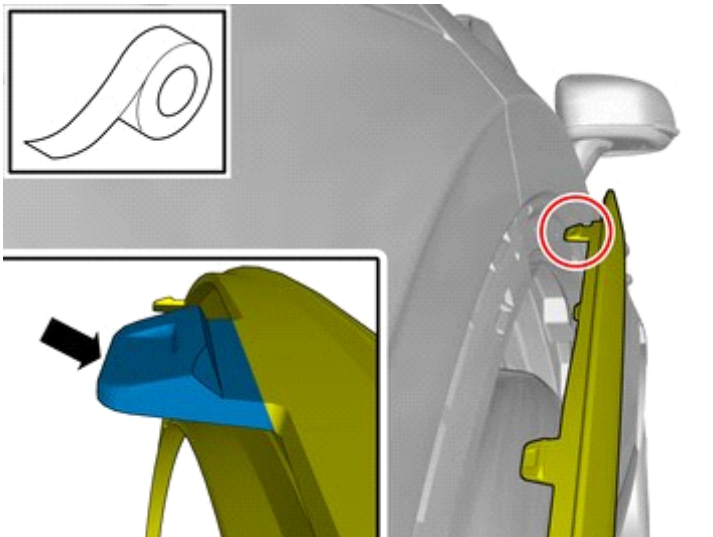


IMG-398082

Fold marked part to one side.

Repeat on the other side.

16



IMG-398324

Caution!
Make sure not to damage painted surfaces.

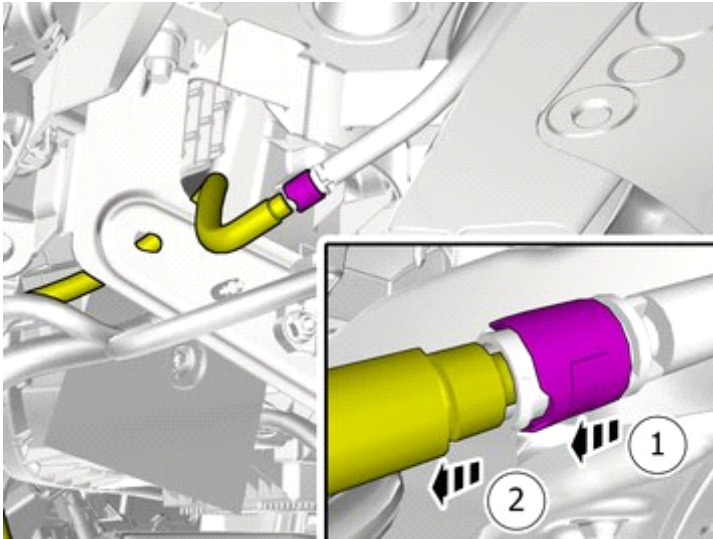
Use tape

Repeat on the other side.



Vehicles with headlamp washers

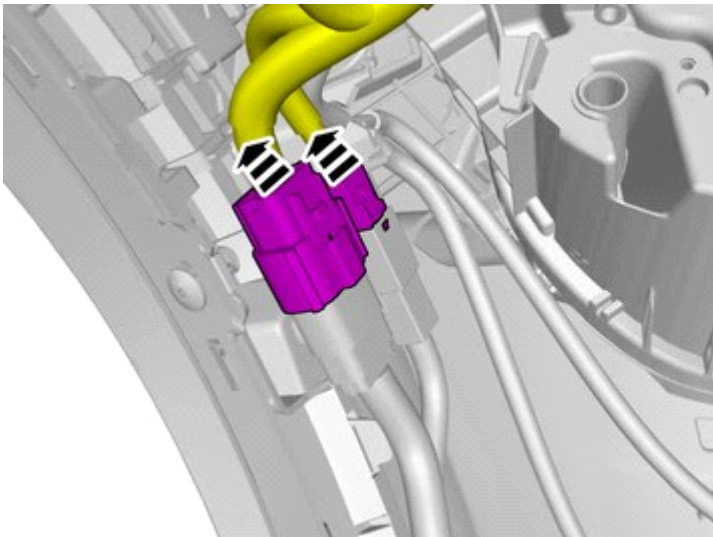
17



IMG-396579

All vehicles

18



IMG-404480

Caution!

The number of connectors can vary depending on the vehicle's equipment level.

Disconnect the connectors.

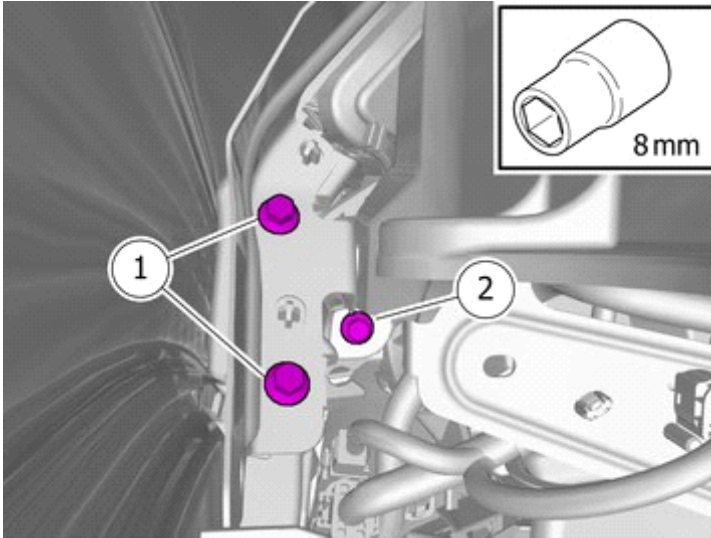
Vehicles early version



Installation instructions, accessories

Volvo Car Corporation Gothenburg, Sweden

19



IMG-382216

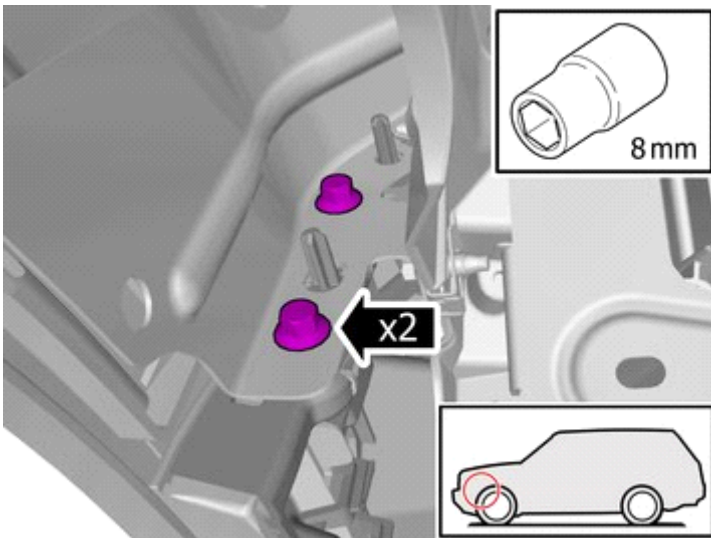
Remove the screws.

Repeat on the other side.

Tightening torque: Bracket to front fender , 6 Nm

Vehicles late version

20



IMG-412857

Remove the screws.

Repeat on the other side.

Tightening torque: Bracket to front fender , 6 Nm

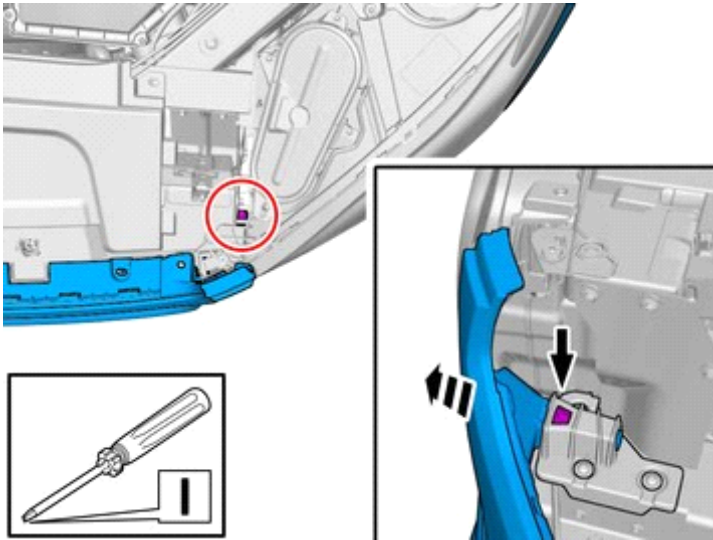
All vehicles



Installation instructions, accessories

Volvo Car Corporation Gothenburg, Sweden

21



IMG-386979

Repeat on the other side.

22



IMG-387146

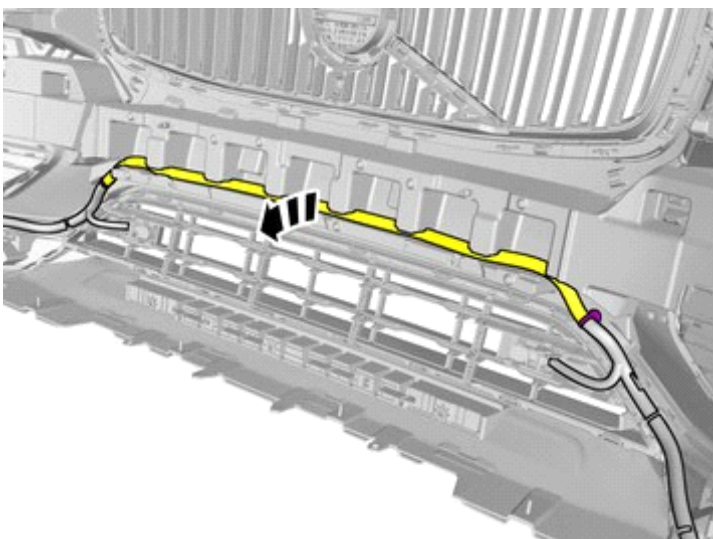
Caution!

Place the Bumper Cover on a suitable surface.

Request the aid of a colleague for this procedure.

Remove the marked part.

23



IMG-397770

Remove the cable harness clips.

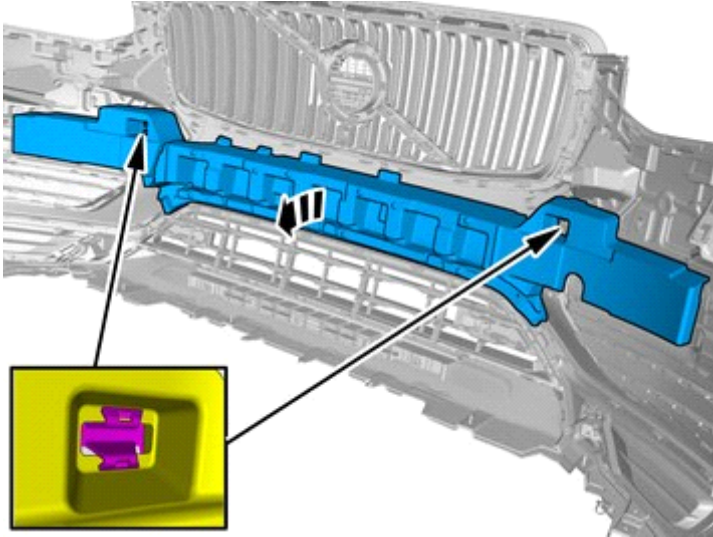
Fold marked part to one side.



Installation instructions, accessories

Volvo Car Corporation Gothenburg, Sweden

24



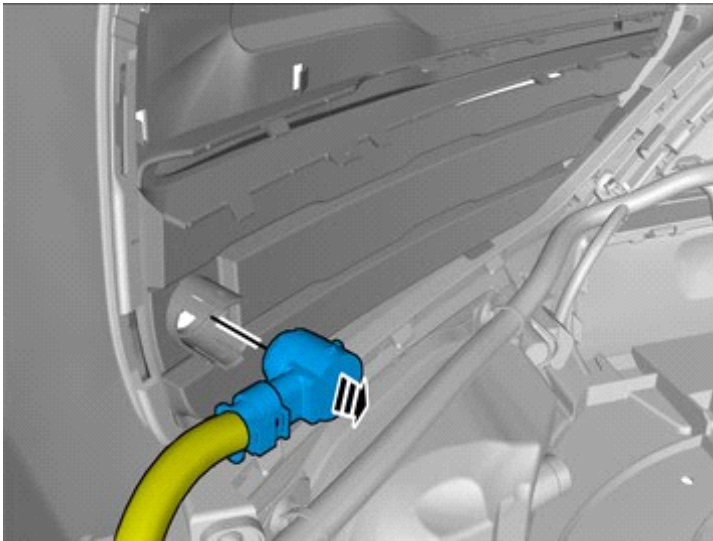
IMG-397787

Loosen the clips.

Remove the marked part.

Vehicles with parking assistance

25



IMG-403195

Remove the part carefully

Repeat on the other side.

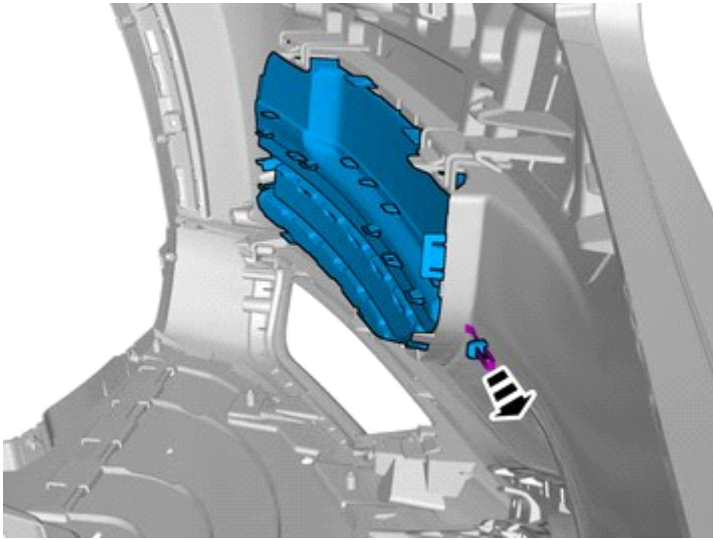
Alternative 1



Installation instructions, accessories

Volvo Car Corporation Gothenburg, Sweden

26

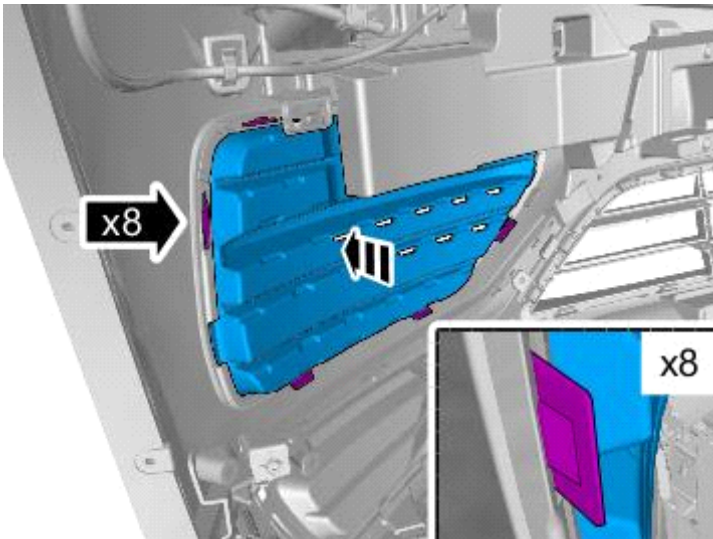


IMG-382227

Remove the marked part.

Repeat on the other side.

27



IMG-386127

The part is not to be reused.

Repeat on the other side.

Accessory installation

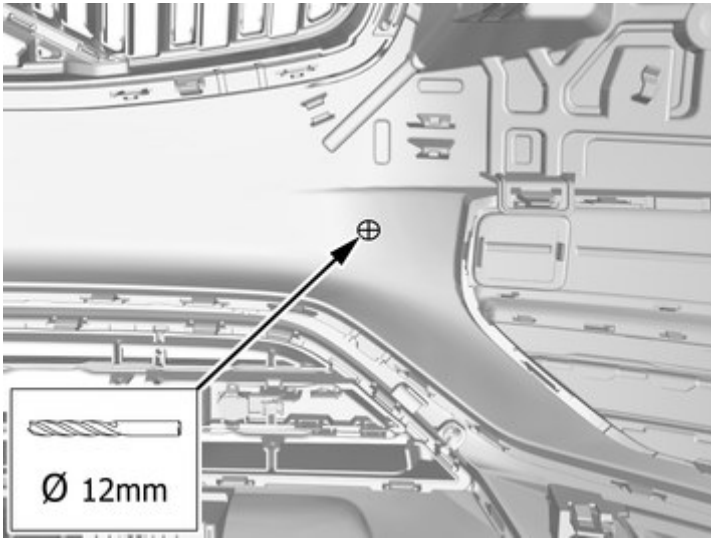
Alternative 1



Installation instructions, accessories

Volvo Car Corporation Gothenburg, Sweden

28

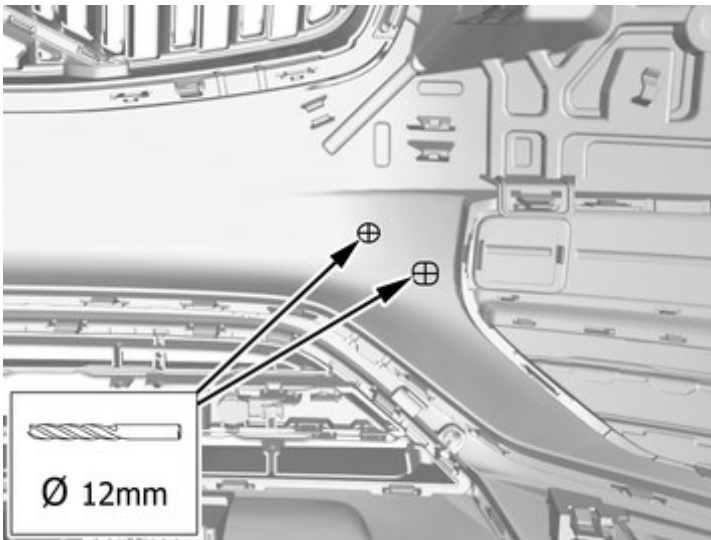


IMG-398205

Repeat on the other side.

Alternative 2

29



IMG-397845

Repeat on the other side.

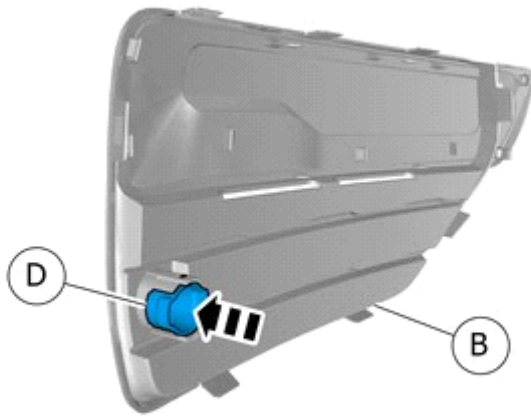
Vehicles without parking assistance



Installation instructions, accessories

Volvo Car Corporation Gothenburg, Sweden

30



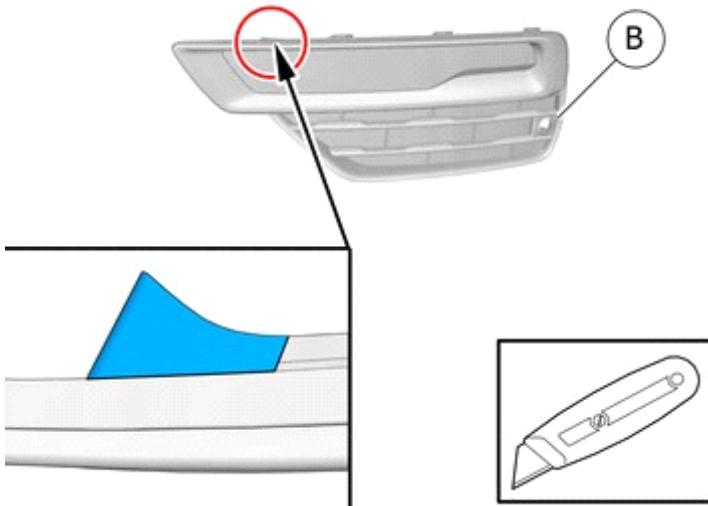
Install component that comes with the accessory kit.

Repeat on the other side.

IMG-401042

Accessories marked with date before 25/05/2015

31



Caution!

Cut carefully to avoid unintentional damage or personal injury.

Note!

Use a sharp knife.

Remove the marked part.

Repeat on the other side.

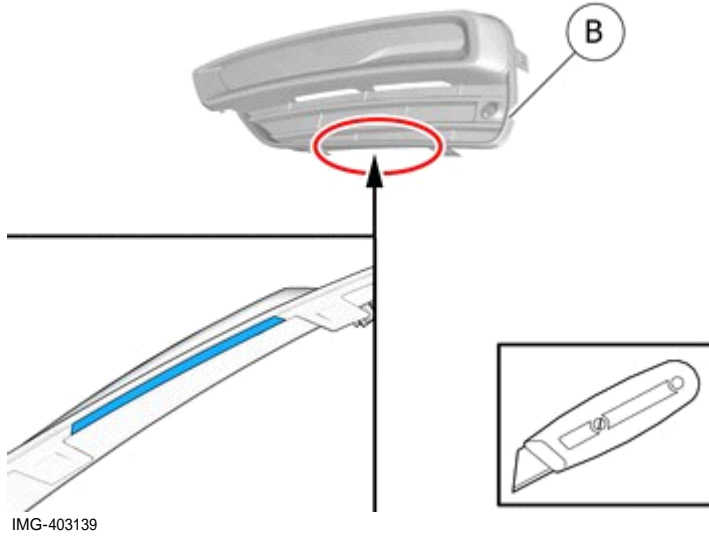
IMG-403138



Installation instructions, accessories

Volvo Car Corporation Gothenburg, Sweden

32



Caution!

Cut carefully to avoid unintentional damage or personal injury.

Note!

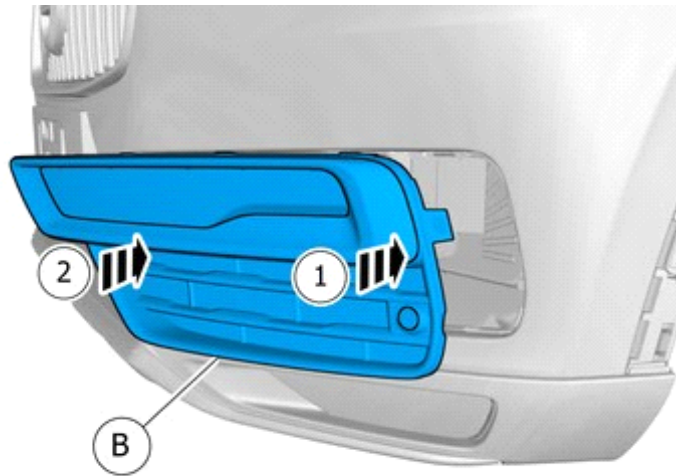
Use a sharp knife.

Remove the marked part.

Repeat on the other side.

All vehicles

33



Install component that comes with the accessory kit.

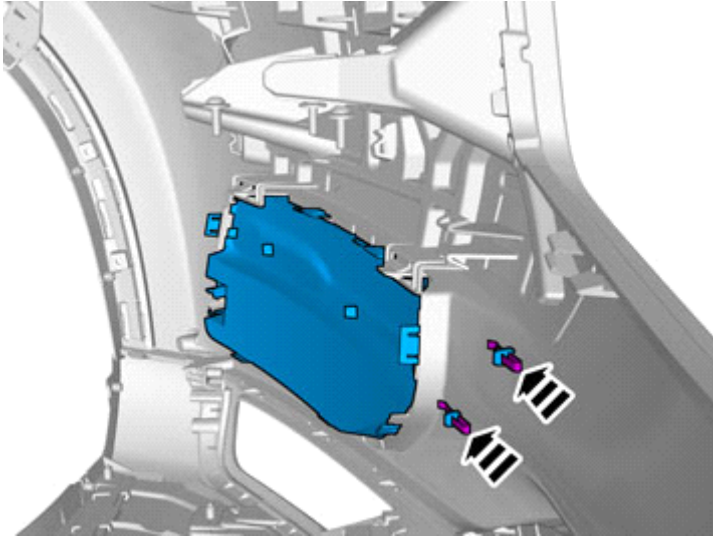
Repeat on the other side.



Installation instructions, accessories

Volvo Car Corporation Gothenburg, Sweden

34



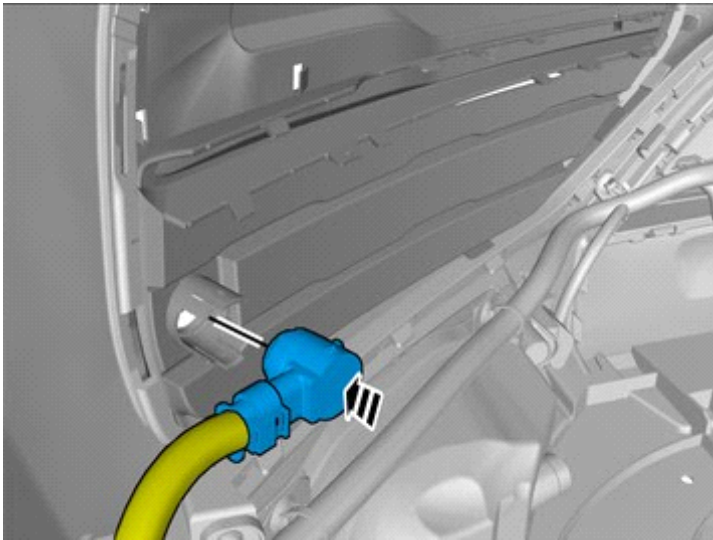
IMG-382282

Install the catch.

Repeat on the other side.

Vehicles with parking assistance

35



IMG-403196

Reinstall the removed part.

Repeat on the other side.

All vehicles



Installation instructions, accessories

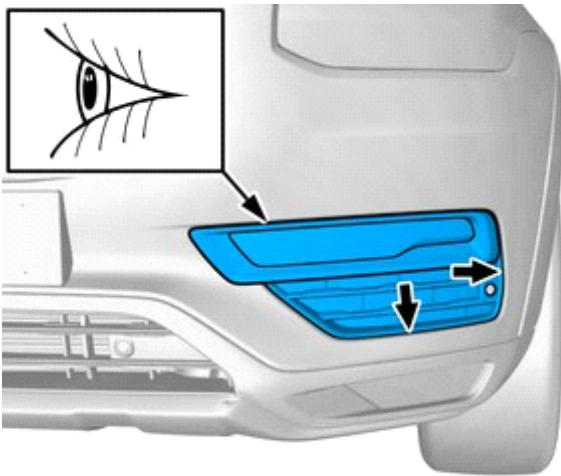
Volvo Car Corporation Gothenburg, Sweden

36

Reinstall the removed parts in reverse order.

IMG-377070

37



Note!

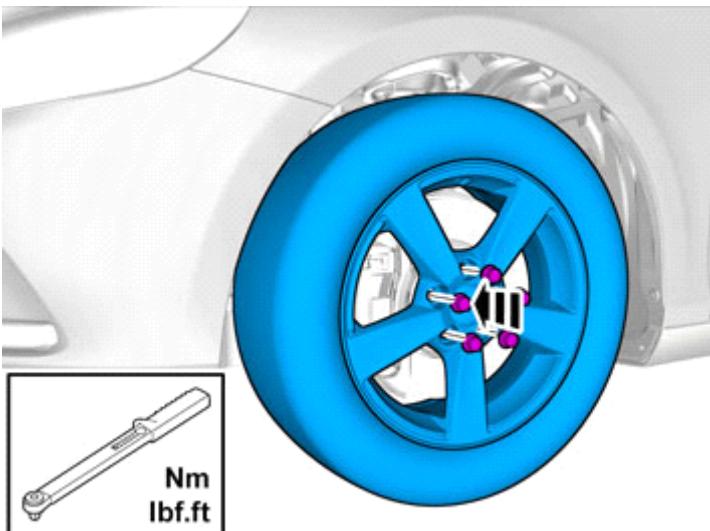
Adjust the position of the components to create even spaces.

Press until a click is heard.

Repeat on the other side.

IMG-400996

38



Tightening torque: Aluminum wheel rim to wheel hub

Stage 1: 4 Nm

Stage 2: 50 Nm

Stage 3: 140 Nm

IMG-370207



Installation instructions, accessories

Volvo Car Corporation Gothenburg, Sweden
